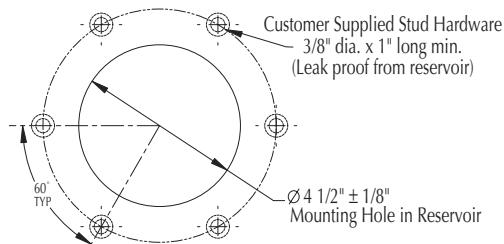
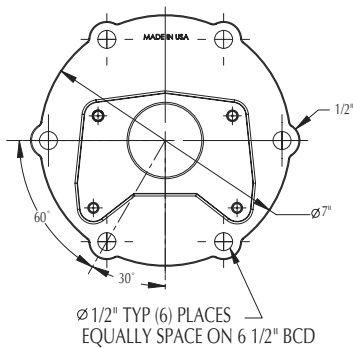
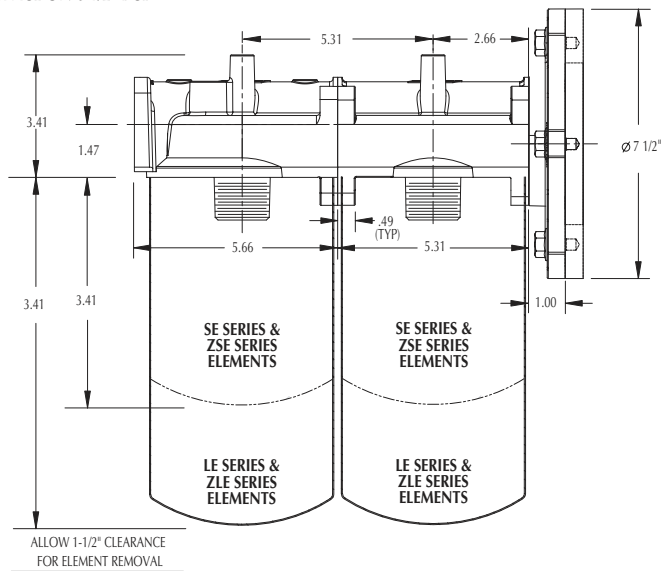
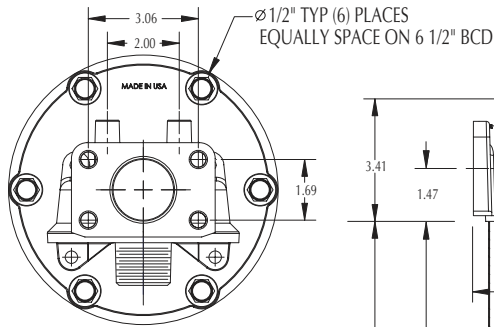
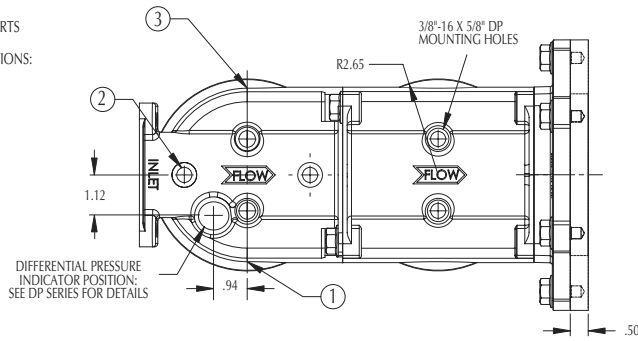




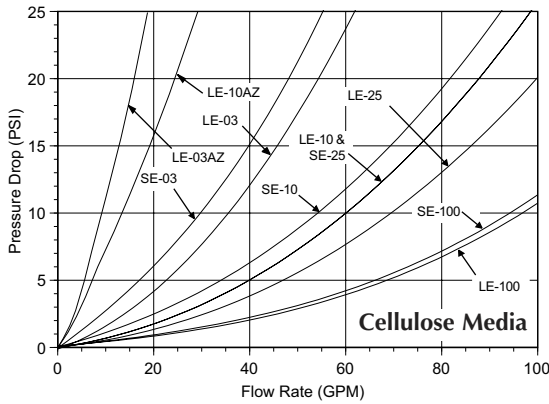
# MFT SERIES FLANGE MOUNTED SPIN-ON HEADS WITH ΔP INDICATOR OPTION

Flows Up To: 120 GPM (Return)  
 Port Sizes: 1 1/2" NPTF w/ 2" (4) Bolt Flange  
 1 7/8" - 12 UN (SAE - 24)  
 Pressure: 200 PSI Max. Operating  
 Temperature: Up to +250° F. Operating  
 Mounting: Aluminum Bolt Plate / Steel Weld Collar  
 Applications: Petroleum based fluids.  
 Consult factory for synthetic fluids.

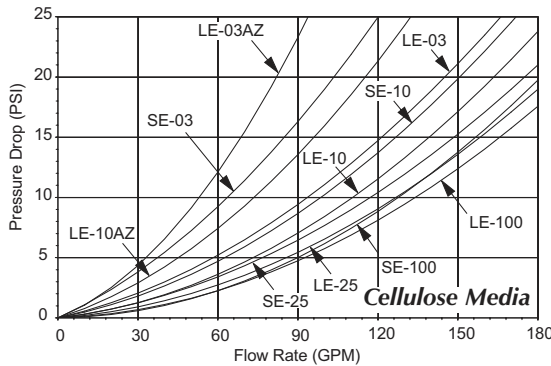
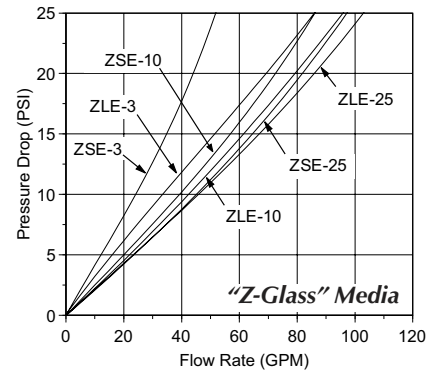
1/8" NPTF GAUGE PORTS  
(OPTIONAL)  
INLET PRESSURE LOCATIONS:  
① ② ③



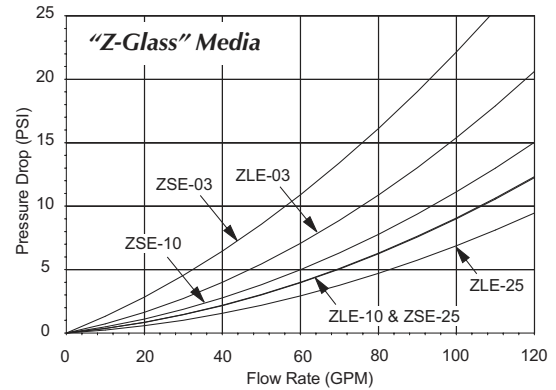
Note: Lubricate Supplied O-ring Seal and Use a Cross Tighten Pattern When Installing Mounting Plate to Reservoir Wall / Weld Collar



Average Pressure Drop Through Clean Single Module Filter Assembly With 150 SUS Oil At 105° F.



Average Pressure Drop Through Clean Two Module Filter Assembly With 150 SUS Oil At 105° F.



SPIN-ONS

**HOW TO ORDER: MFT - XX - XX - X - X - X -XX- XXX**

Code	Inlet Port Size & Type
18S	1 7/8" - 12 UN(SAE - 24)
2215P	2" (4) Bolt Flange & 1 1/2" NPTF Combination

Code	By-Pass Valve Setting
00	No Valve
15	15 PSI
25	25 PSI
50	50 PSI

Code	Gauge Port Location
0	No Gauge Port
1, 2, 3	Location Number As Shown On Drawing

Code	No. of Filter Head Modules
1	1 Module
2	2 Modules

Code	ΔP Indicator Options
0	No Indicator
V	Visual Indicator (see DP03 series)
D	DC Indicator (see DP06 series)
H	Ele/Visual Elec w/DIN Conn. (see DP05 series)

Code	Mounting Options
BP0	Bolt Plate
BCX	Bolt Plate w/ Check Valve X= Pressure Setting (1,2,3...7 psid)
BP2	Bolt Plate w/2" NPT Port for Drop Pipe
BD0	Bolt Plate w/ Tank Diffuser
BDX	Bolt Plate w/ Check Valve & Tank Diffuser X= Pressure Setting (1,2,3...7 psid)
WP0	Weld Collar (No Options)
WCX	Weld Collar w/ Check Valve X=Pressure Setting (1,2,3...7 psid)
WP2	Weld Collar w/ 2" NPT Port for Drop Pipe
WD0	Weld Collar w/ Tank Diffuser
WDX	Weld Collar w/ Check Valve & Tank Diffuser
000	No Mounting

Code	Δ P Indicator Setting
00	No Indicator
04	4 PSID
13	13 PSID
22	22 PSID
44	44 PSID

SE, LE, ZSE, & ZLE Element Data: See Pages 38 & 39

